



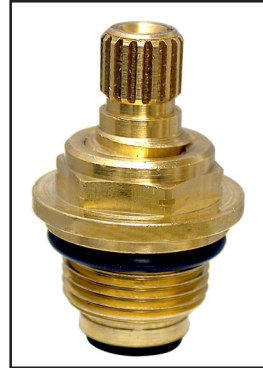
583 Miller Road, Avon Lake, OH 44012
 phoenixfaucets.com

COMPRESSION SEAT STEM AND BONNET ASSEMBLIES

All stem and bonnet assemblies are brass
 unless otherwise noted



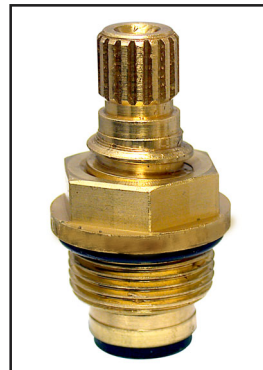
41-5-0
 RIGHT HAND
 For sink mounted faucets
 and exposed tub/shower.
 Used on hot and cold sides
 with acrylic handles. On
 hot side only with lever
 handles.
 Streamway #108-0RH



41-5-0LH
 LEFT HAND LEVER HANDLE
 For sink mounted faucets
 and exposed tub/shower.
 Used on cold side with
 lever handle only.
 Streamway #108-0LH



61-5-0
 RIGHT HAND
 For concealed wall mount
 tub/shower, deck mount
 garden tub and
 widespread lavatory. Used
 on hot and cold sides with
 acrylic handles. On hot
 side only with lever
 handles.
 Streamway #960-0



61-5-0LH
 LEFT HAND LEVER HANDLE
 For concealed wall mount
 tub/shower, deck mount
 garden tub and
 widespread lavatory. Used
 on cold side with lever
 handle only.
 Streamway #960-0



45-5-0
 RIGHT HAND PLASTIC
 For sink mount faucets
 and exposed tub/shower
 units. Used on hot and cold
 sides with acrylic handles.



P82
 WASHERLESS CARTRIDGE
 PLASTIC
 For sink mount faucets
 and exposed tub/shower
 units. Used on hot and
 cold sides with acrylic
 handles.



P22
 RIGHT HAND PLASTIC
 For Streamway, Nibco and
 Phoenix Faucets. Used in
 sink mount faucets and
 exposed wall mount tub/
 shower. Used on hot and
 cold sides with acrylic
 handles. On hot side only
 with lever handles.



P22LH
 LEFT HAND PLASTIC
 For Streamway, Nibco and
 Phoenix Faucets. Used in
 sink mount faucets and
 exposed wall mount tub/
 shower. Used on cold side
 with lever handle only.



583 Miller Road, Avon Lake, OH 44012
phoenixfaucets.com

**Streamway/
Aquastream**



P60
RIGHT HAND
PLASTIC/BRASS
For Streamway and Aquastream washerless cartridge. Used in sink mount faucets and exposed wall mount tub/shower. Used on hot and cold sides with acrylic handles.



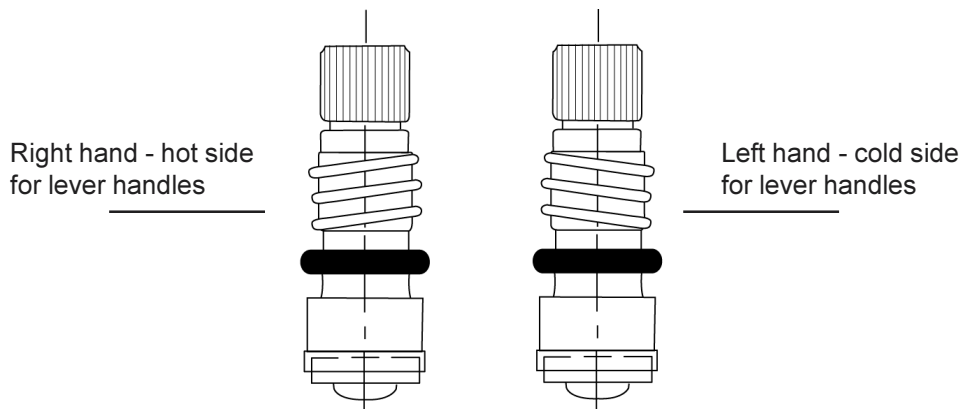
1610-5-0
RIGHT HAND
For concealed wall mount tub/shower faucets with 2" maximum wall thickness. Used on hot and cold sides with acrylic handles.



1639-5-0
DIVERTER STEM
For wall mount tub/shower faucets with 2" maximum wall thickness

RIGHT HAND vs. LEFT HAND STEM AND BONNETS

Two handle faucets with standard acrylic handles use the same stem assembly for the hot and cold sides: A right hand stem and bonnet that opens when the handles is turned counter clockwise (left) and closes in a clockwise (right) direction.



Two handle faucets with lever handles are designed to open when you pull the levers toward you and to close when you push the levers back. Therefore, these faucets use a right hand stem and bonnet on the hot water side, and a left hand stem and bonnet on the cold water side. We know that seems backwards, but that's how it's done Really!

DIVERTER STEM ASSEMBLIES

All stem and bonnet assemblies are plastic unless otherwise noted



639-5-0
 PLASTIC
 For Phoenix 3 valve tub/shower diverters. Use in wall or deck thicknesses up to 7/8". New style, replaces 60-4D-0.



1600-4D-0
 PLASTIC
 For Phoenix 3 valve wall mount tub/shower diverters. Used for thick wall construction up to 2".



60-4D-0
 PLASTIC
 For Phoenix 3 valve wall mount tub/shower diverters. Used in wall thicknesses up to 7/8". Old style, obsolete in 1991, not interchangeable with 639-5-0.



2601-4D-0
 BRASS
 For Nibco 3 valve tub/shower diverters.

Renewable seats, also known as “renu” or “bibb” seats, are required by code for all faucets mounted in a concealed installation behind a wall or beneath a ledge. Renewable seats are also offered as an upgrade option in brass and plastic faucets installed on sinks or in exposed installations in front of the wall.

Renu seats make it possible to completely repair and eliminate any faucet leaks without having to replace the faucet. Most renewable seats are manufactured from brass though several nylon versions are available for particularly corrosive water conditions.

**ALL RENEWABLE SEATS ACCEPT A 5/16” ALLEN WRENCH
UNLESS OTHERWISE NOTED.**



40-1
BRASS
Used in cast brass underbodies for sink mount faucets and exposed tub/shower.
Streamway #108-25



60-1
BRASS
Used in brass, concealed 2 valve and 3 valve tub/shower.
Streamway #970-20

HEIGHT: 1.24
PITCH: 20



P40-12-1
NYLON
Used in plastic underbodies. For sink mount faucets and exposed tub/shower.
1/4” hex



38-1
BRASS
Used in deck mount, 2 valve garden tub fillers.
Streamway #2185-20

HEIGHT: 1.59
PITCH: 20



30-1
BRASS
Used in cast brass underbodies for concealed 3-3/8” shower valves.
Streamway #118-20